

Pre-Installation Checklist and Guide

Thank you for your decision to purchase your new Rocket espresso machine.

Installation Considerations

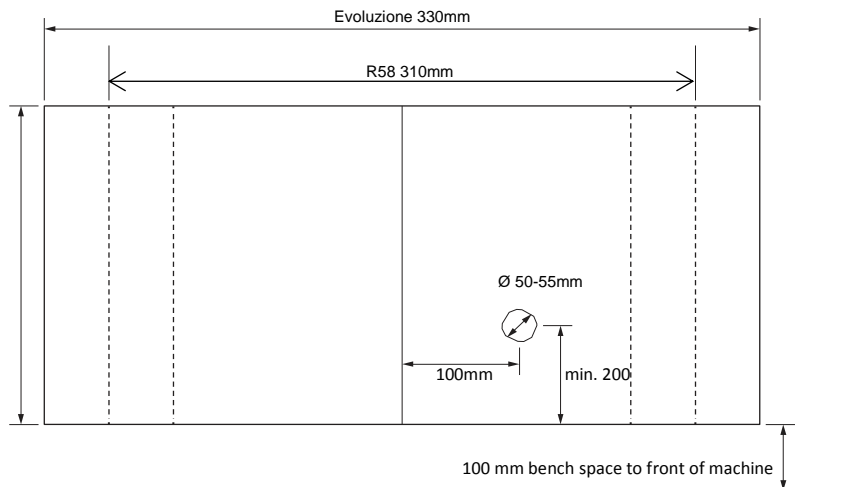
Please read the following information and ensure that you can check off each point prior to your scheduled installation. Any non-conformity may result in voiding your manufacturer's warranty.

Bench Preparation

Your bench must be clear and clean prior to installation.

Hole Drilling

Should your water supply, drainage point and power point be underneath the bench a 50mm hole will be required as indicated;



1/4 turn stop cock

We recommend that your plumber supply a 1/4 turn ball type stop cock (TAP) within 1 meter of the proposed location of your new espresso machine. The stop cock should have a 1/2" BSPP male outlet or female outlet with a 1/2" nipple - according to the Pressure Limiting Valve used in the following;

Pressure Limiting Valve (PLV)

Please request that your plumber install a 350 kPa Pressure Limiting Valve (PLV) immediately after the above Stop Cock to achieve 3.5 - 4bar line pressure. ECA use and recommend the Reliance brand. The Reliance PLV have a 1/2" BSPP outlet, so please be sure to ask the plumber to fit a 1/2" Male to 1/4" Male reducing nipple.

Drainage

Waste drainage is to be located directly beneath counter and coffee machine. An S-Trap or P-Trap must be fitted and a minimum of 300mm fall before the trap water level.

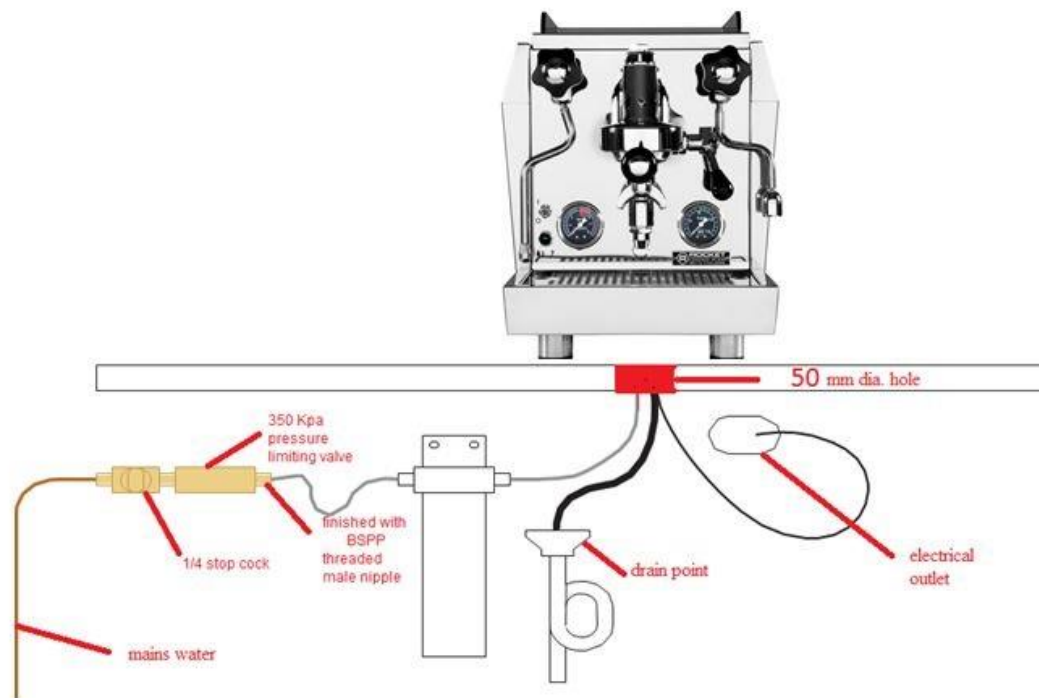
Water Filtration

A scale inhibiting water filter suitable for coffee machine application is to be used. Please ensure you follow the manufactures installation steps including 'bleeding water' prior to connecting the filter to your espresso machine. For locations with poor water quality an upgrade of water filter may be recommended to limit the negative effects of hard water - please advise if your region is suspect and Total Dissolved Solids (TDS) is beyond level of 120 ppm.

Electrical Outlet

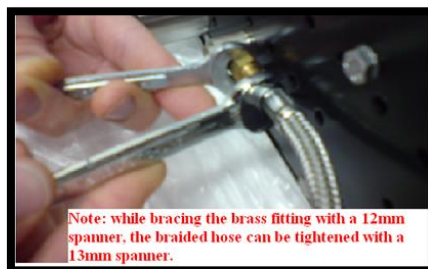
An appropriate 10 amp electrical socket must be installed within 1 meter of the proposed location of your new espresso machine.

Summary diagram of installation



Plumbing the unit...

- Machine is to be placed on bench but not connected to power.
- Assemble the water path to the machine (but do not connect to the machine) including tap, 350 pressure limiting valve and then a water filter, in this order.
- Purge water from the filter into a bucket as per water filter manufactures instructions.
- Connect the braided hose to the water inlet pipe. Our recommendation is that you use two shifting spanners or 12 & 13mm spanners to brace the brass fittings so that you do not over tighten onto the stainless steel fitting as per the image below.



- Flick the switches behind the water reservoir towards the 'tap' image (Evoluzione) or enter the plumbed option using the controller (R58).
- Connect the waste drain and waste hose.
- Open the tap and allow water into the machine. Always visually inspect for water line / connection breaches and leaks.
- Check line pressure (right hand gauge) to the machine is 3-5 bars.
- Turn on power at wall socket and then proceed to switch power on at unit's switch.
- The machine will start to boiler fill.
- Once the pump has stopped boiler filling, lift the group lever to allow water to pass through and fill the heat exchange boiler. Allow water to flow through the group head until there is a steady water flow then lower group lever (off).
- This completes the hard plumbed set up.

For further assistance please contact Espresso Company Australia on 1300 326 326